

Thank you for purchasing this BATHROOM BUTLER® Product.

Spares and Optional Extras: HTR Electrical Mounting - without cover plate

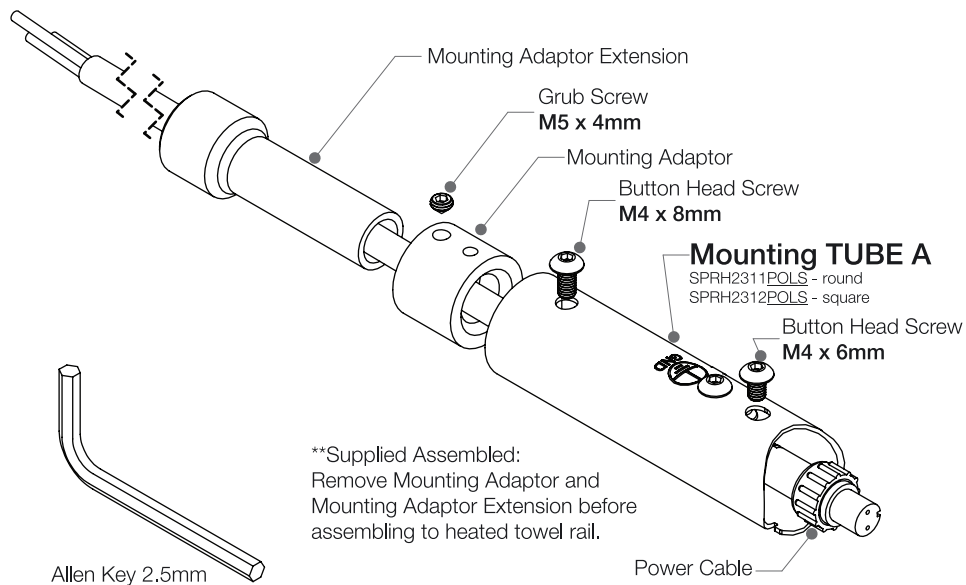
(HTR-ELNC-VSA030)

**This is only a supplementary installation instruction for this alternative mounting part. For full installation instructions please refer to "Assembly Instructions, Mounting Instructions, User Instructions" document supplied with product.

NOTE

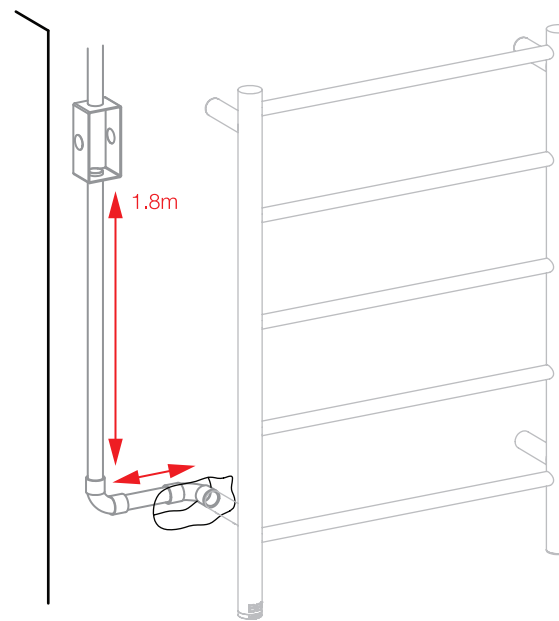
Products in diagrams used are for graphical representation only, actual products may vary from model to model.

1. Parts Supplied:

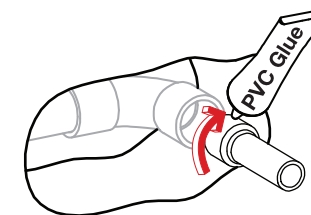


* Due to the fact that Bathroom Butler is always actively researching new methods and/or materials with a view to further improving our products you may notice some differences between the parts you received and the assembly method described herein. Please understand that this instruction leaflet is intended as a guide only.

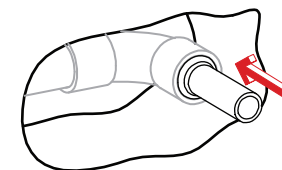
2. Install Mounting Adaptor Extension



1 Electrical conduit is installed with Junction Box within 1.8m of outlet

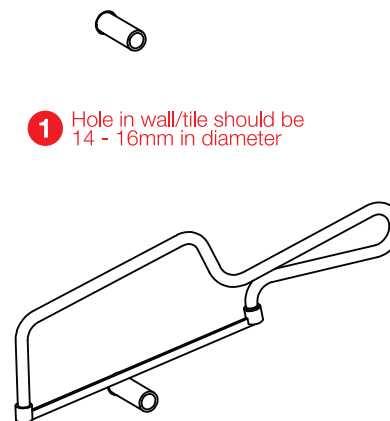


2 Apply PVC Glue to Mounting Adaptor Extension

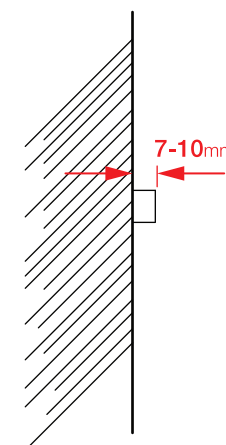


3 Push Mounting Adaptor Extension into Elbow

3. Trim Mounting Adaptor Extension

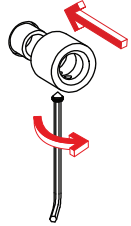


1 Hole in wall/tile should be 14 - 16mm in diameter



2 Trim Mounting Adaptor Extension. Only 7 - 10mm should project out the wall

4. Secure Mounting Adaptor



1 Secure Mounting Adaptor by sliding over Extension and tightening grub screw

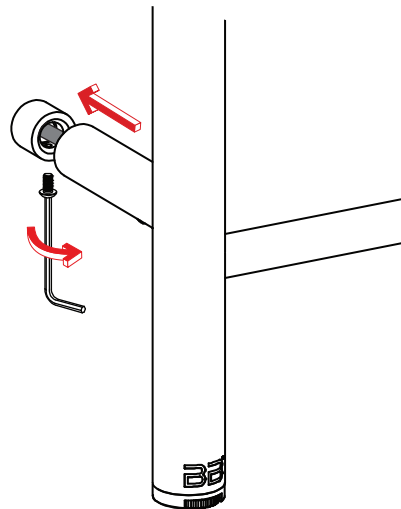
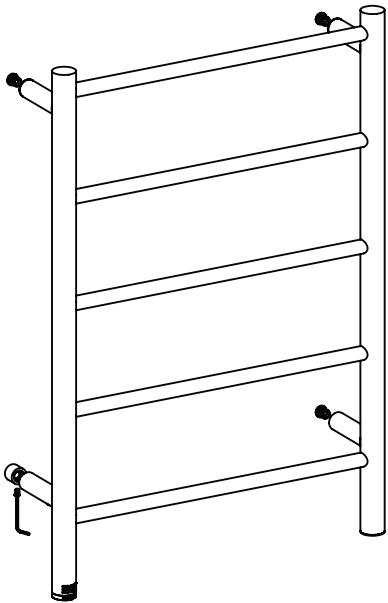


2 Make sure mounting hole is aligned vertically



3 Mounting Adaptor Secured

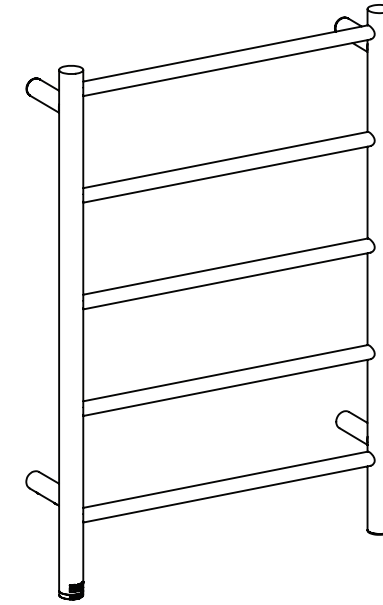
5. Pull electrical cable through and secure heated towel rail



1 Pull Electrical Cable through

2 Slide heated towel rail over Extension Adaptor

3 Tighten Button Head Screw to secure to wall



6. Cleaning and Maintenance

Bathroom Butler Heated Towel Rails (HTRs) are made from GRADE 304 Stainless Steel and should be cleaned regularly with a warm damp cloth, and then buffed dry with a clean dry cloth. Do not use the rough end of a kitchen sponge to clean your HTR. To remove any small blemishes or fine scratches, use a metal polish. Remember to switch the HTR off and leave it to cool for 15 minutes before cleaning.

DO NOT clean your HTR with any kind of ACID BASED CHEMICAL, TILE CLEANER or detergents that contain chlorine, as this may contaminate and damage the surface finish of the HTR.

There is no maintenance required on your Bathroom Butler HTR.