

# Installation frame Visign for More Instructions for Use



for tile-level installation of the WC flush plate

**Model**  
8350.23

**Year built:**  
from 06/2009

en\_INT

**viega**

# Table of contents

<b>1</b>	<b>About this instruction for use</b>	<b>4</b>
1.1	Target groups	4
1.2	Labelling of notes	4
1.3	About this translated version	5
<b>2</b>	<b>Product information</b>	<b>6</b>
2.1	Intended use	6
2.1.1	Areas of use	6
2.2	Product description	6
2.2.1	Overview	6
<b>3</b>	<b>Handling</b>	<b>7</b>
3.1	Assembly information	7
3.1.1	Required material and tools	7
3.2	Assembly	7
3.2.1	Mounting tile-level installation frame	7
3.3	Disposal	9

# 1 About this instruction for use

Trade mark rights exist for this document, further information can be found at [www.viega.com/legal-notice](http://www.viega.com/legal-notice).

## 1.1 Target groups

The information in this instruction manual is directed at the following groups of people:

- Heating and sanitary professionals and trained personnel
- Tilers
- Drywall builder

It is not permitted for individuals without the abovementioned training or qualification to mount, install and, if required, service this product. This restriction does not extend to possible operating instructions.

The installation of Viega products must take place in accordance with the general rules of engineering and the Viega instructions for use.

## 1.2 Labelling of notes

Warning and advisory texts are set aside from the remainder of the text and are labelled with the relevant pictographs.



### **DANGER!**

This symbol warns against possible life-threatening injury.



### **WARNING!**

This symbol warns against possible serious injury.



### **CAUTION!**

This symbol warns against possible injury.



### **NOTICE!**

This symbol warns against possible damage to property.



*Notes give you additional helpful tips.*

### 1.3 About this translated version

This instruction for use contains important information about the choice of product or system, assembly and commissioning as well as intended use and, if required, maintenance measures. The information about the products, their properties and application technology are based on the current standards in Europe (e. g. EN) and/or in Germany (e. g. DIN/DVGW).

Some passages in the text may refer to technical codes in Europe/Germany. These should serve as recommendations in the absence of corresponding national regulations. The pertinent national laws, standards, regulations and guidelines, as well as other technical guidelines, have priority over German/European guidelines in this manual: The information is not binding for other countries and territories and should, as mentioned, be considered as support.

## 2 Product information

### 2.1 Intended use

#### 2.1.1 Areas of use

The installation frame is intended for the tile-level installation of Viega WC flush plates in dry construction pre-walls.

#### Suitable Viega WC flush plates

Product range	Model
Visign for More 100	8352.1
Visign for More 101	8351.1
Visign for More 102	8353.1
Visign for More 104	8354.1

### 2.2 Product description

#### 2.2.1 Overview

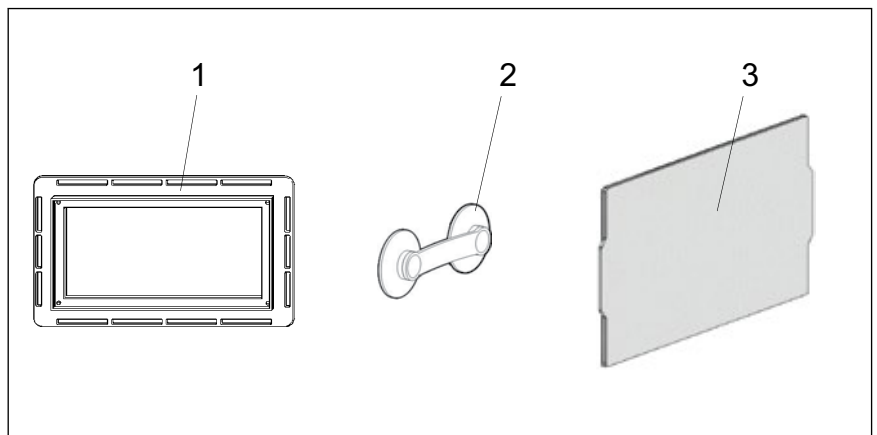


Fig. 1: Component overview

- 1 - tile-level installation frame
- 2 - suction foot
- 3 - cover plate

# 3 Handling

## 3.1 Assembly information

### 3.1.1 Required material and tools

#### Tool

The following tools are required for mounting:

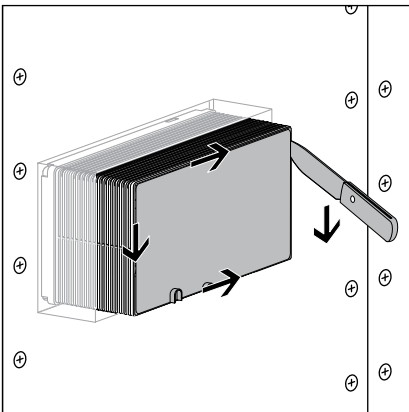
- flat screwdriver
- knife (cutter)
- jigsaw

## 3.2 Assembly

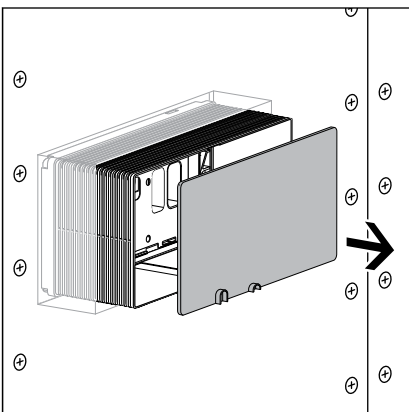
### 3.2.1 Mounting tile-level installation frame

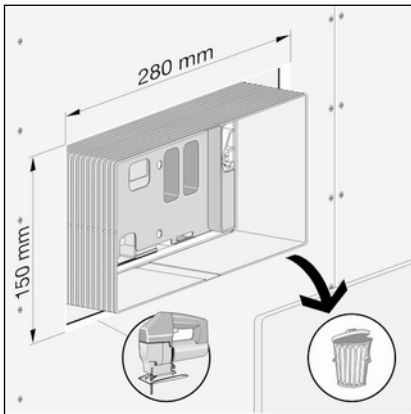
Requirements:

- The cistern is fitted into the front wall.
- Cut into shaft cover.

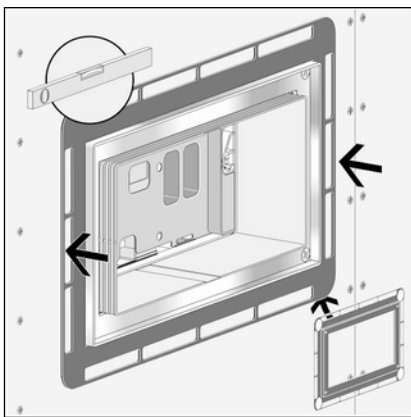


- Remove shaft cover.

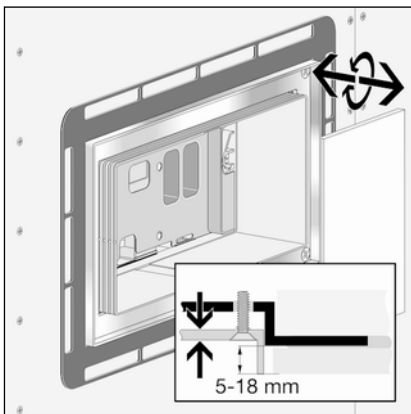




- Mark the internal contour (280 x 150 mm) of the installation frame onto the cladding panel and then cut it out using a keyhole saw.



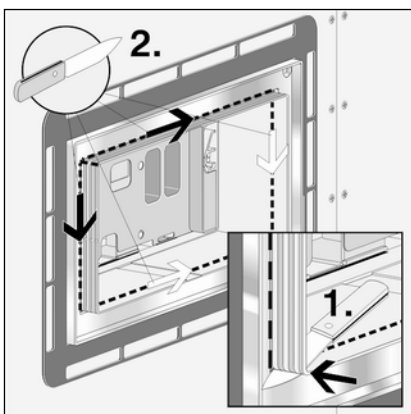
- Align installation frame centrally on the revision shaft and affix using the double-sided adhesive tape on the rearside.



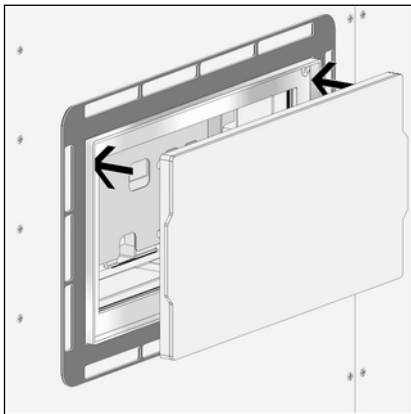
- Place installation frame onto the relevant wall tile using the adjusting screws.

Setting range: 5–18 mm

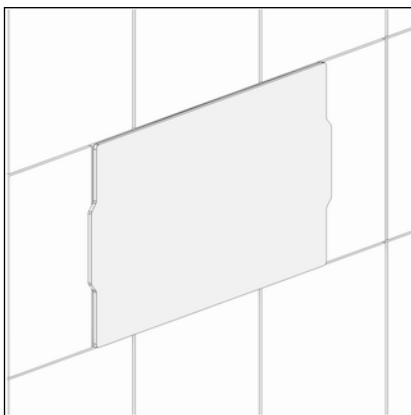
**INFO! The upper edge of the internal frame must be flush with the wall tile. Make allowance for the thickness of the tile adhesive.**



- Shorten revision shaft flush with the internal frame:  
First of all, cut into the corners of the revision shaft and then fold the sides in.



► Mount the cover supplied onto the internal frame.



► Tile pre-wall.

► Remove the cover again.

⇒ The WC flush plate can be mounted.

### 3.3 Disposal

Separate the product and packaging materials (e. g. paper, metal, plastic or non-ferrous metals) and dispose of in accordance with valid national legal requirements.