

bathe
world's finest bathroomware

•Multi•Point•

HYDROTHERAPY SYSTEM

INSTALLATION INSTRUCTIONS TO BE GIVEN TO THE INSTALLER

Also included:

1. Installation Instructions(in pump box)
2. Owner's Manual

IMPORTANT

INSTALLATION PROCEDURE

1. Damaged Goods

Check for damage on delivery. Claims will not be accepted after the bath and spa have been signed for as received "in good order". If damage or defects are noted, please call the retailer immediately and DO NOT INSTALL the spa.

2. Handling

Do not lift bath by the pipework or spa fittings.

3. Pump Connection

- a. See separate pump manufacturer's installation instructions which are in the pump carton.
- b. DO NOT remove any tie clip that supports pipework.
- c. Connect the pump as shown on the diagram opposite. ie: below high water-line and above lowest outlet (suction) on bath.

4. Pump Access

- a. An access panel must be provided for the pump for access by technician for servicing.
- b. The access panel must be installed in such a manner that the pump, ON/OFF and wiring cannot be reached or touched by a person(s) using the bath or bathroom.

5. Remote ON/OFF Button and Air Venturi

- a. ON/OFF button is mounted on or near the bath.
- b. The ON/OFF control is connected to the pump with RJ45 cable supplied.
- c. Air Venturi is connected to a manifold using 8 mm plastic tubing

6. Bath Installation

As per Australian Building and Construction Standards.

7. Testing

As per Australian Building and Construction Standards.

1. Check all connections are sealed/watertight.
2. Fill bath and check jets are working correctly.
3. Check on/off touchpad has a constant green light.
4. Check overflow/multifiller components are functioning correctly.

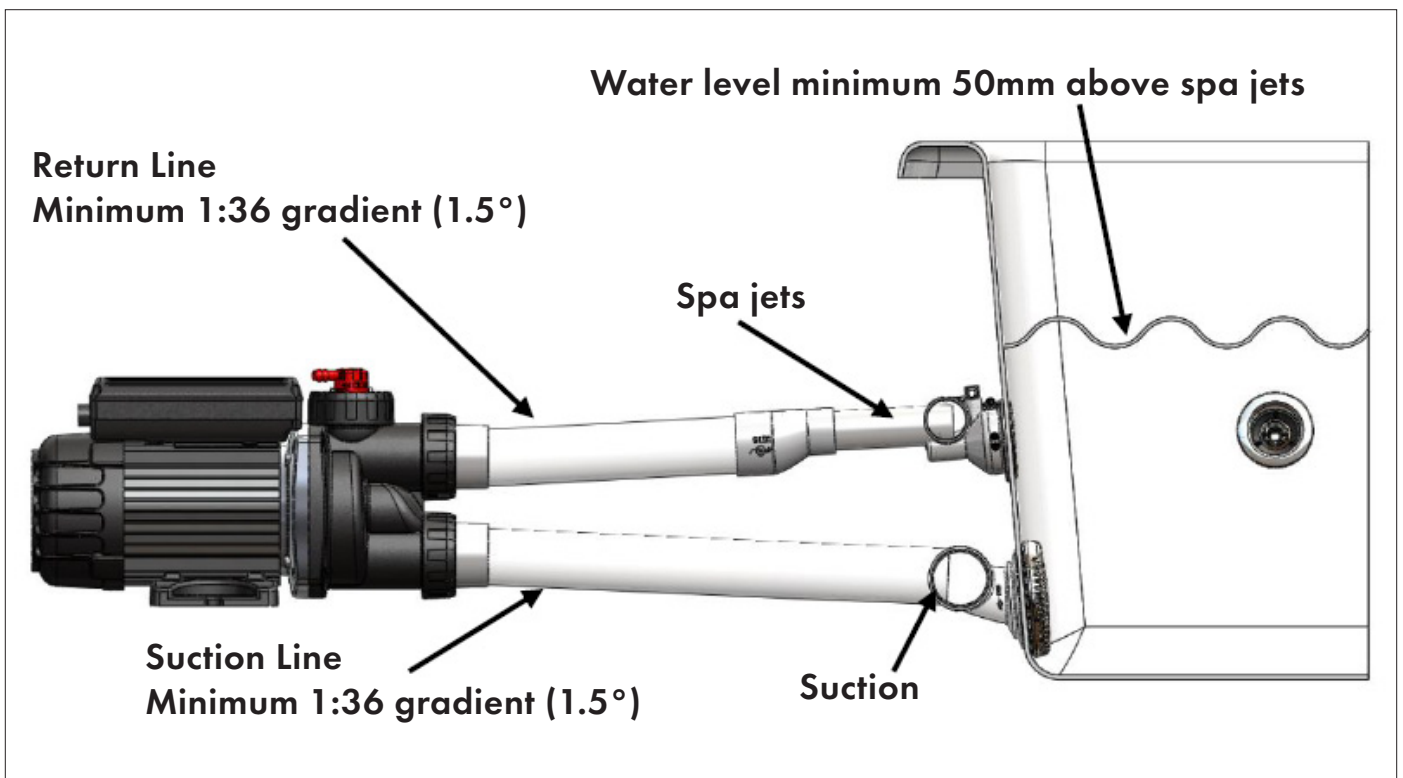
Installation and testing to be performed by a licensed tradesman.

DIAGRAM

SPA BATH PUMP INSTALLATIONS

- Use 40mm or 25mm UPVC Pressure Pipe for plumbing installation
- 40mm pipe is preferred for both the suction and return lines.

STANDARD INSTALLATION



IMPORTANT

- Pump installation must provide reasonable access for pump removal.
- To allow for pump removal, a service person must be able to reach the barrel unions.
- Under hob installation - an access panel must be provided on every installation.

TROUBLESHOOTING GUIDE

SYMPTOM	POSSIBLE CAUSE	SUGGESTED ACTION
Pop-up plug operating incorrectly	Screw not adjusted	Adjust screw under plug as necessary.
Spa Pump will not start	Mains Power to pump is not switched on	<ul style="list-style-type: none"> Check the power point has 240V Power. Check that the power point is "on". Green indicator light should be glowing on the touch pad to indicate power.
	Communication Cable is not connected	<ul style="list-style-type: none"> Check the communication cable is connected to the Touch Pad and the communication port on the pump. Green indicator light should glow on the touch pad to indicate power.
	Touch Pads Lights are all flashing	<ul style="list-style-type: none"> The touch pad may have entered fault mode. Switch the power off at the power point, wait 15 seconds and then switch the power back on. Only the Green light on the touch pad should now be illuminated.
	Mains Power to pump is not switched on	<ul style="list-style-type: none"> Check the power point is in the "on" position. Check the Power Point has 240V Power.
Pump is not Priming - no water coming from jets	Pump runs stops after 10 seconds	<ul style="list-style-type: none"> Check the height of pump. Check that adjustable spa jets are in the open position. Activate Air Bleed-Refer to activating Air Bleed - page 12
	No water from jets	<ul style="list-style-type: none"> Contact service technician or spa installer.
Leaks	From socket union	Undo union and ensure O ring is in place, then tighten.
	Other	Call service technician.

FOR TECHNICAL ASSISTANCE CONTACT:

Bathe | www.bathe.net.au
 service@bathe.net.au | t. +61 2 9509 0000