

# SHOWER FLOOR INSTALLATION FOR CONCRETE SLAB FLOOR

LOCAL BUILDING REGULATIONS AND STANDARDS MUST BE ADHERED TO.

**When handling steel enamel shower floors, care must be taken that they are handled with care. This applies to their transport, unpacking and installation.**

## **THIS INSTALLATION REQUIRES:**

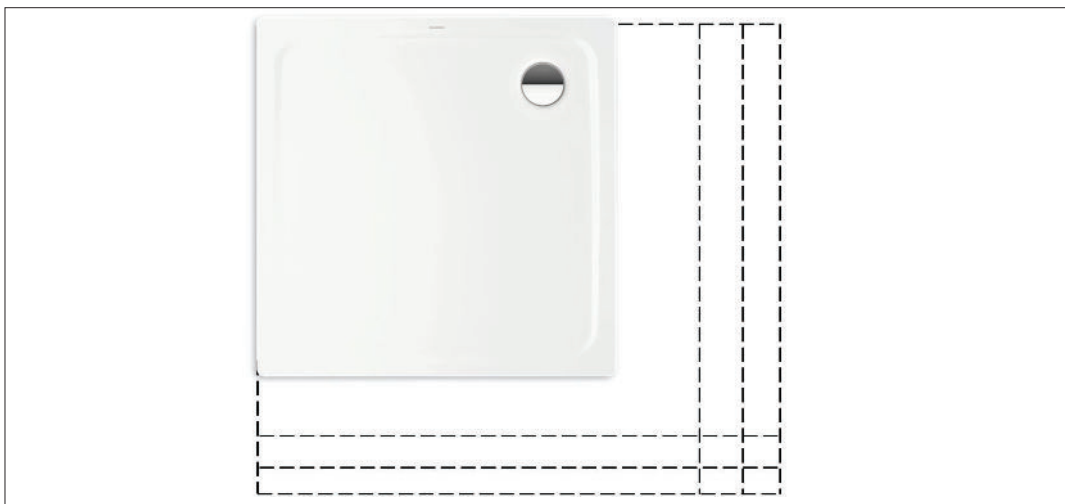
1. AUS approved Waste
2. Waste pipe for connection to drainage.
3. Either Mortar Slurry or Expandable Foam.

## **ALSO NEEDED FOR INSTALLATION:**

SILICON  
LEVEL  
CLOTH  
SHOWER FLOOR PROTECTION e.g. cardboard or plywood sheet.  
TAPE MEASURE  
CUTTER  
PENCIL  
SOFT MALLET  
2 x 25KG WEIGHTS

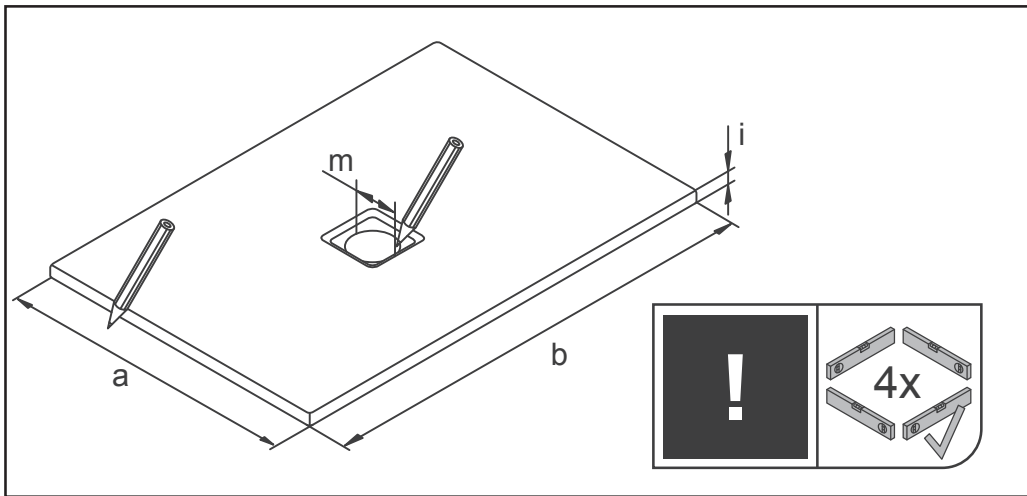
## DESIGN STAGE

**1. AT THE DESIGN STAGE, CHECK THE HEIGHT X LENGTH OF THIS SHOWER BASE ALONG WITH THE SIZE AND POSITION OF THE WASTE.**

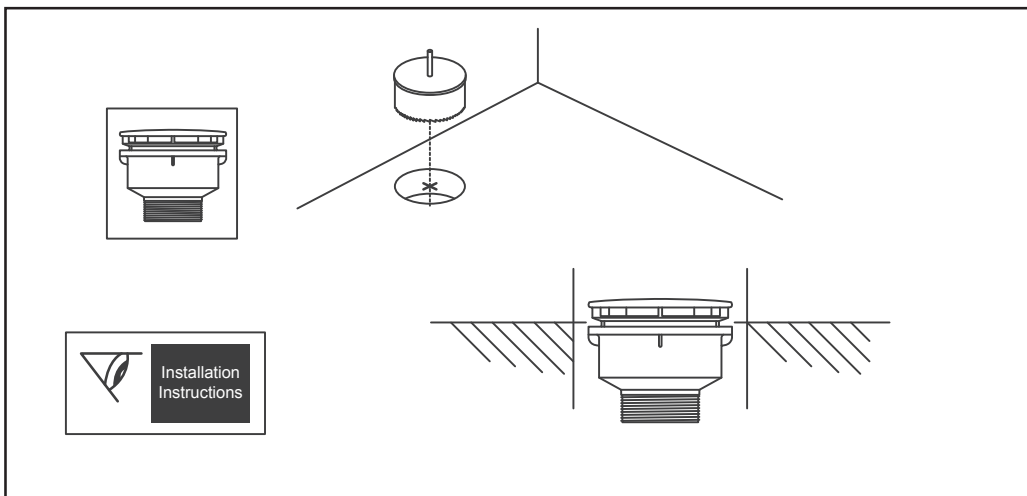


**SET-OUT STAGE**

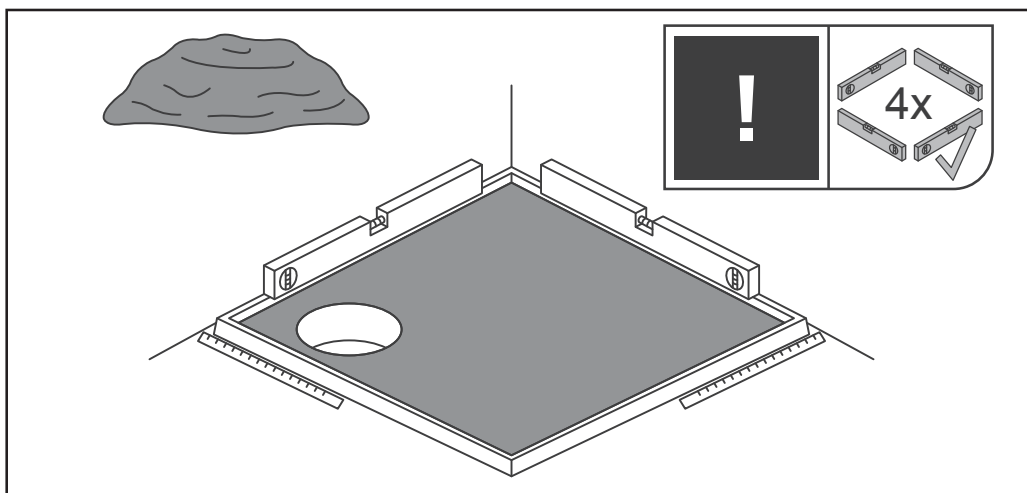
**2. MEASURE OUT THE FLOOR AREA AND DETERMINE THE WASTE POSITION.**



**3. PREPARE THE PLUMBING FOR THE SHOWER BASE WASTE PIPE.**

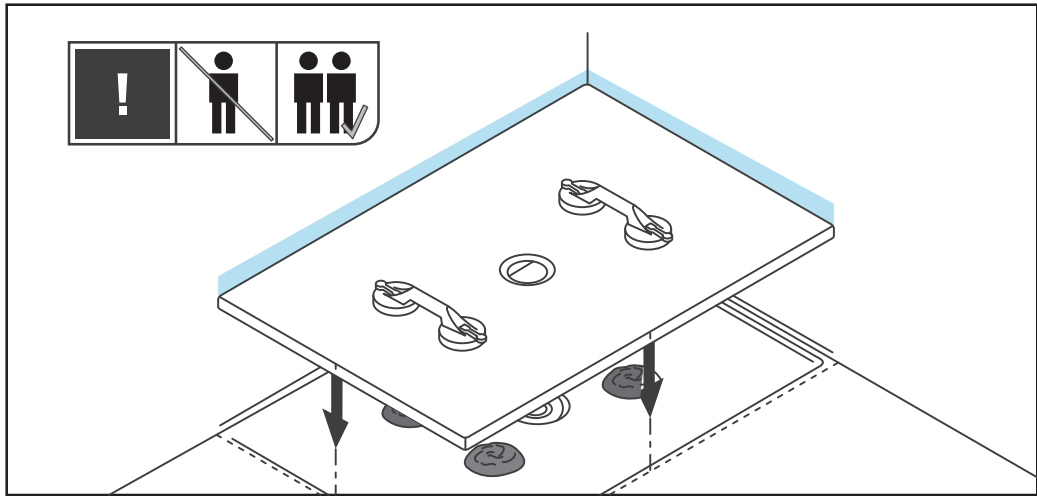


**4. PREPARE THE BASE USING EITHER MORTAR SLURRY OR EXPANDABLE FOAM. ENSURE AREA IS LEVEL.**

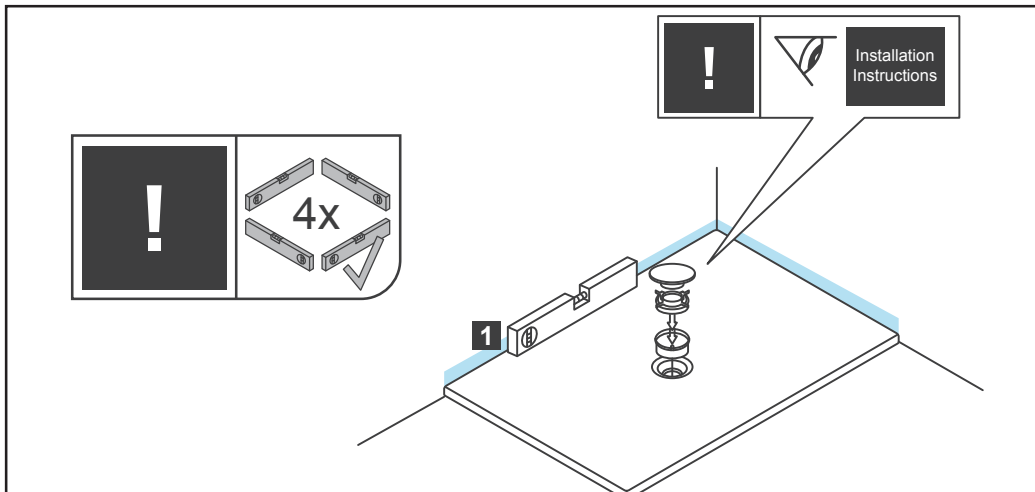


**INSTALLATION**

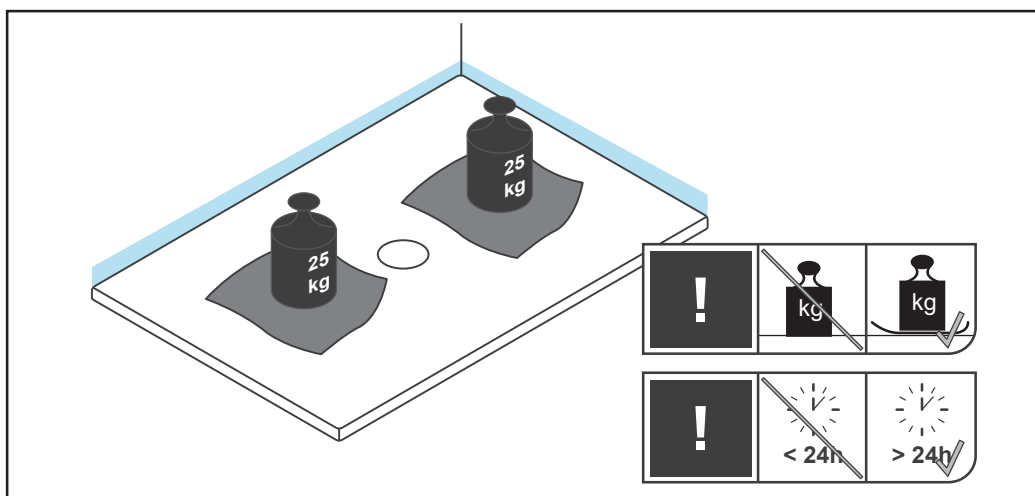
**5. POSITION THE SHOWER TRAY USING MORTAR SLURRY OR EXPANDING FOAM.**



**6. ENSURE SHOWER TRAY IS LEVEL. INSTALL WASTE OUTLET TO MANUFACTURERS INSTRUCTIONS.**



**7. WEIGHT DOWN THE SHOWER TRAY WITH 50KG WEIGHT AND LEAVE FOR 24 HOURS.**

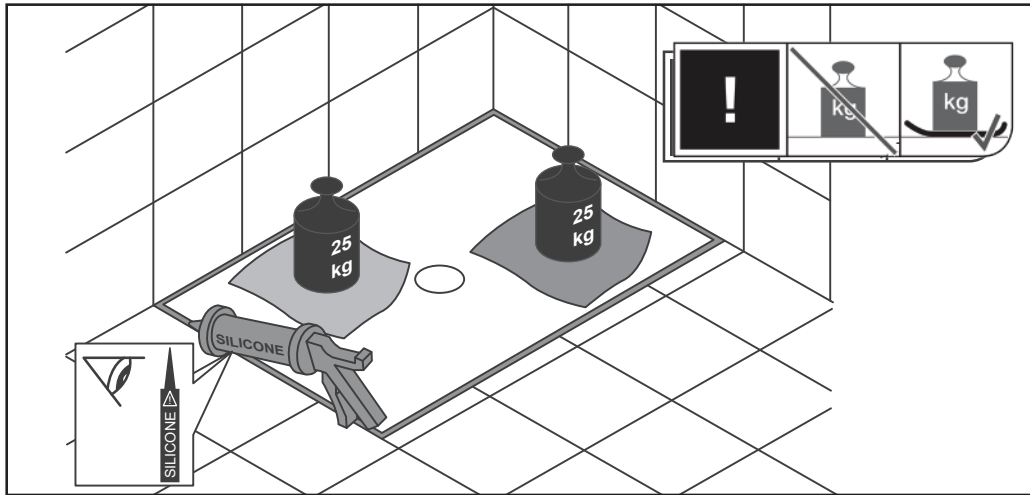


**8. PUT A PROTECTIVE COVERING ON THE SHOWER FLOOR BEFORE TILING OR OTHER BATHROOM INSTALLATION COMMENCES.**



**AFTER TILING**

**9. AFTER TILING, SILICON ALL OF THE EDGES OF THE SHOWER TRAY.**



**10. WHEN DRY, PUT THE PROTECTIVE COVERING BACK ON THE SHOWER FLOOR UNTIL CONSTRUCTION COMPLETION.**

**CONTACT: BATHE SERVICE**

Email: [service@bathe.net.au](mailto:service@bathe.net.au)

Phone: 02 9509 0000

[www.bathe.net.au](http://www.bathe.net.au)