

•Multi•Point•

HYDROTHERAPY SYSTEM

INSTALLATION INSTRUCTIONS

TO BE GIVEN TO THE INSTALLER

IMPORTANT

INSTALLATION PROCEDURE

1. Damaged Goods

Check for damage on delivery. Claims will not be accepted after the bath and spa have been signed for.

2. Handling

Do not lift bath by the pipework or spa fittings

3. Pump Connection

- a. See separate pump manufacturer's installation instructions which are in the pump box.
- b. DO NOT remove any tie clip that supports pipework.
- c. Connect the pump as shown on the diagram opposite.

4. Pump Access

- a. An access panel must be provided for the pump for access by engineer only when needed.
- b. The access panel must be installed in such a manner that the pump, air switch and wiring cannot be reached or touched by a person(s) using the bath or bathroom.

5. Remote Air Switch ON/OFF Button

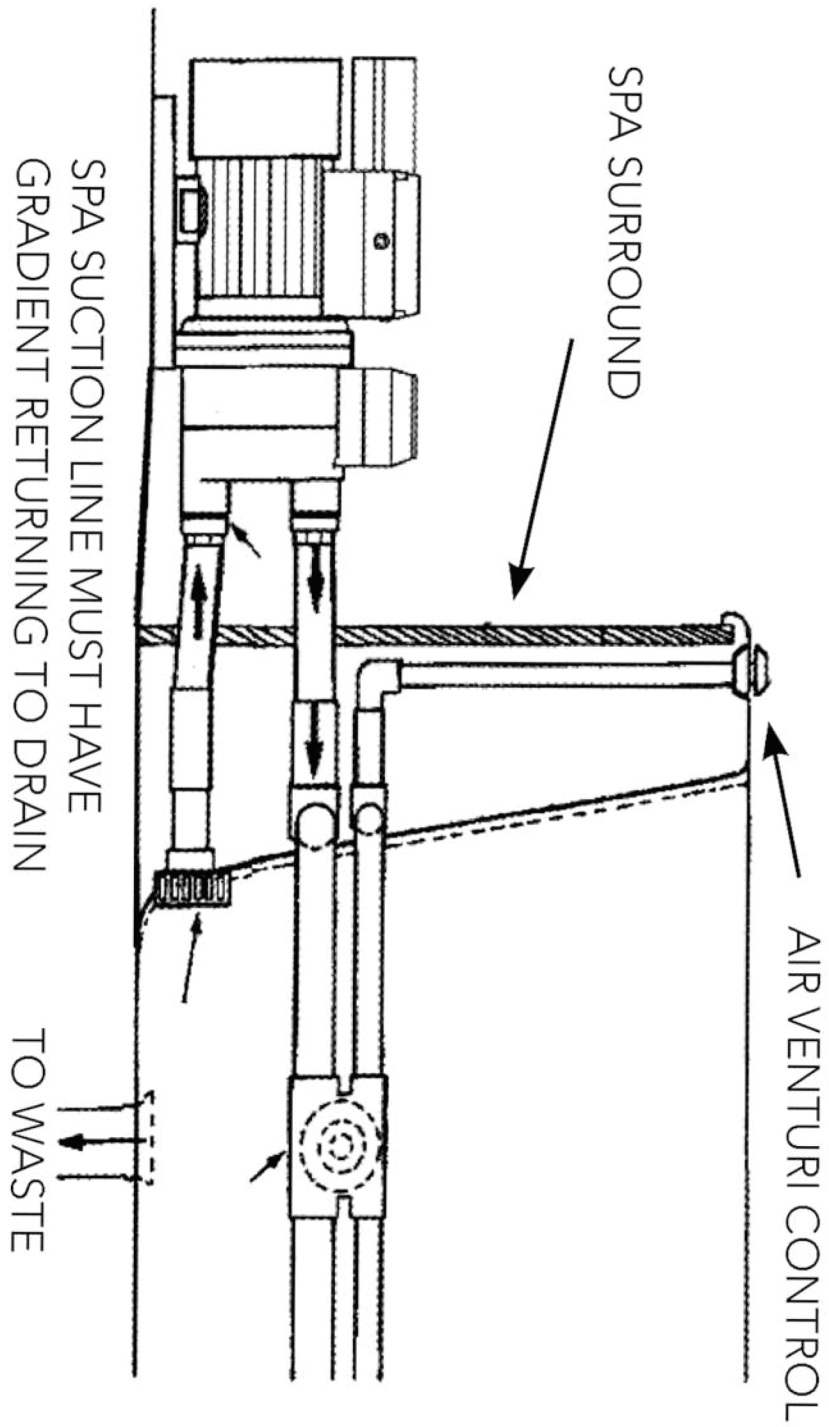
- a. ON/OFF button is mounted on or near the bath.
- b. The ON/OFF control is connected to the pump air switch by black or clear 8mm plastic tubing, as supplied.
- c. Connect by gently pushing home 8mm tubing to bottom of ON/OFF button. Take care not to pinch tubing.
- d. Connect tube to air switch on top of pump or air switch nipple on pump casing.

6. Bath Installation

Follow manufacturer's bath installation instructions.

7. Testing

Fill bath and test spa operation prior to bricking up.



MULTIPOINT SYSTEM DIAGRAM

FAULT FINDING GUIDE

SYMPTOM	PROBABLE CAUSE	CURES
Pop up plug operating incorrectly.	1. Screw not adjusted.	1. Adjust screw under plug as necessary.
Pump does not start.	1. Bathmaster low voltage conditions (power light is flashing on the touch pad). 2. Pump in lock-out mode (a light on the touch pad is flashing).	1. Periodically retry "Jets" button as unit will start to work once voltage supply returns to an acceptable level. 2. Wait for all flashing lights on the touch pad to stop, then activate the "Jets" button.
Pump starts then stops.	1. Pump has not achieved prime. 2. Pump has lost prime.	1. Ensure pump and suction line are clear of any blockages. 2. Ensure the water level is at least 50mm above the height of the Jets. 3. Ensure there are no leaks in the suction line. 4. Ensure Pump is installed at correct elevation. See Installation Instruction.
Pump stops during normal operation.	1. Pump has lost prime. 2. Pump has cut out on low/high voltage conditions. (power light is flashing red/green touch pad).	1. Strengthen base or make more secure. 2. Check pump height diagram and adjust by raising or lowering pump base to height. Pump to bath pipe connection should marry without strain on pipe work.
Leaks.	1. From socket union. 2. Other	1. Undo union and ensure O ring is in place, then tighten. 2. Call service engineer.

FOR TECHNICAL ASSISTANCE CONTACT:

Bathe
www.bathe.net.au
service@bathe.net.au
 t. 1300 133 320