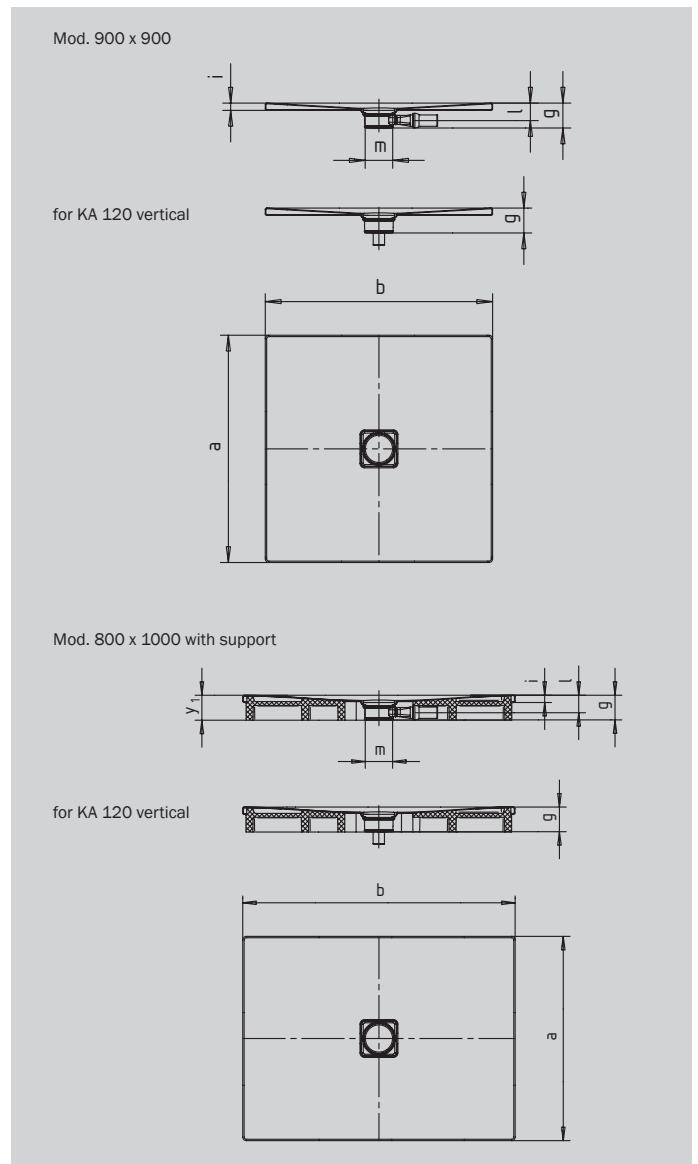
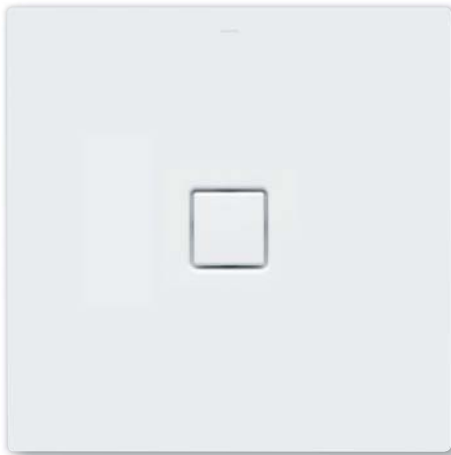
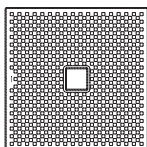


CONOFLAT

- straightlined, purist design
- The flat enamelled waste cover that is flush with the shower area gives a high level of comfort
- can be installed to be absolutely flush with the floor
- made of Kaldewei steel enamel 3.5 mm
- ideally complements the CONODUO bath
- designed by Sottsass Associati
- drainage capacity KA 120: 0.85 l/s
- drainage capacity KA 120 vertical: 1.4 l/s
- **30 YEAR WARRANTY**



Model No.		852	853	780	783	781	784	786
External length	a	800	750	800	900	800	900	1000 mm
External width	b	800	900	900	900	1000	1000	1000 mm
Height with siphon	g	107	107	107	107	107	107	107 mm
Height of rim	i	32	32	32	32	32	32	32 mm
Diameter of drain hole	m	120	120	120	120	120	120	120 mm
Siphon connection height	l	76	76	76	76	76	76	76 mm
Height with support	y ₁	110	110	110	110	110	110	110 mm
Weight of the enamelled shower tray in kg		17	18	19	21	21	24	26
Anti-slip		492 x 492	492 x 492	492 x 492	492 x 492	492 x 492	492 x 492	492 x 492 mm
Full anti-slip		740 x 740	692 x 836	740 x 836	836 x 836	740 x 932	836 x 932	932 x 932 mm



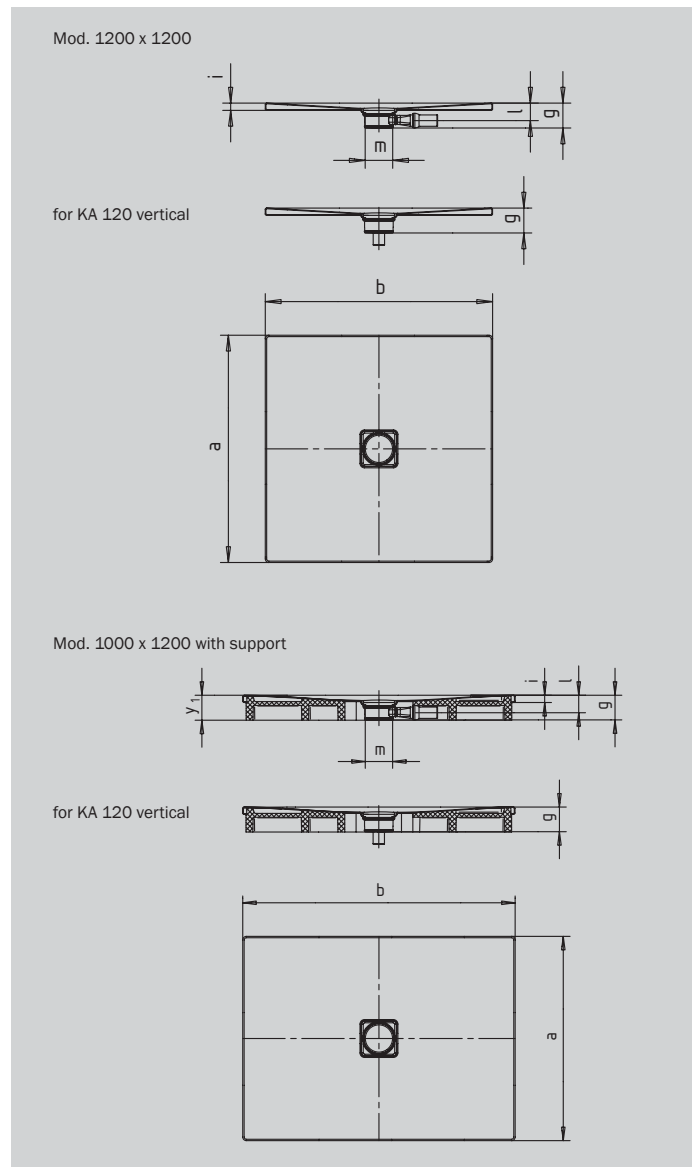
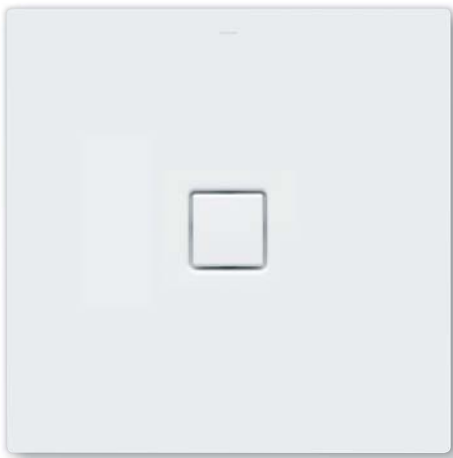
The TÜV Rheinland confirms the following properties of KALDEWEI's anti-slip and full anti-slip finish:

- ; Assessment group **B** for wet barefoot areas (**DIN 51097**)
- ; Assessment group **R 10** for slip-resistant properties in work rooms and areas with an increased risk of slipping (**DIN 51130**)

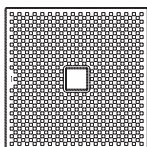
All CONOFLAT models are available with **full anti-slip** finish.

CONOFLAT

- straightlined, purist design
- The flat enamelled waste cover that is flush with the shower area gives a high level of comfort
- can be installed to be absolutely flush with the floor
- made of Kaldewei steel enamel 3.5 mm
- ideally complements the CONODUO bath
- designed by Sottsass Associati
- drainage capacity KA 120: 0.85 l/s
- drainage capacity KA 120 vertical: 1.4 l/s
- model 790 with full anti-slip conforms to DIN-barrier-free 18025-2 and 18040-2
- **30 YEAR WARRANTY**



Model No.		787	788	854	782	785	789	790
External length	a	800	900	1000	800	900	1000	1200 mm
External width	b	1100	1100	1100	1200	1200	1200	1200 mm
Height with siphon	g	107	107	107	107	107	107	107 mm
Height of rim	i	32	32	32	32	32	32	32 mm
Diameter of drain hole	m	120	120	120	120	120	120	120 mm
Siphon connection height	l	76	76	76	76	76	76	76 mm
Height with support	y ₁	110	110	110	110	110	110	110 mm
Weight of the enamelled shower tray in kg		23	26	28	25	28	30	36
Anti-slip		492 x 492	492 x 492	588 x 588	492 x 492	492 x 492	492 x 492	588 x 588 mm
Full anti-slip		740 x 1028	836 x 1028	932 x 1028	740 x 1124	836 x 1124	932 x 1124	1172 x 1172 mm



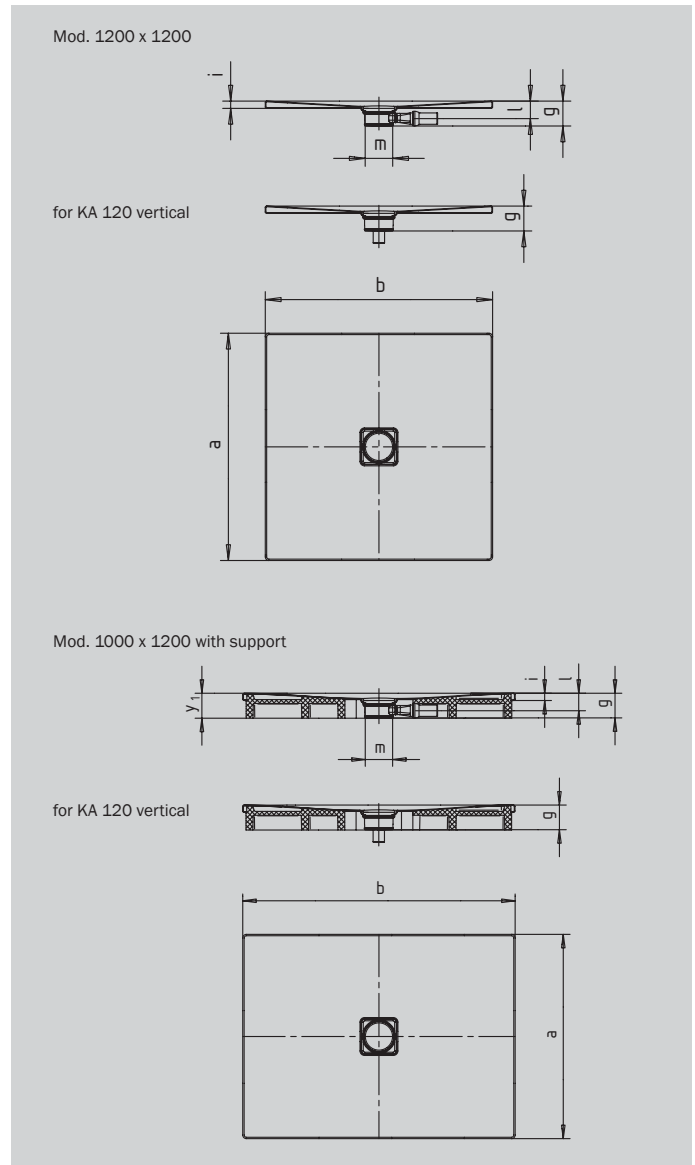
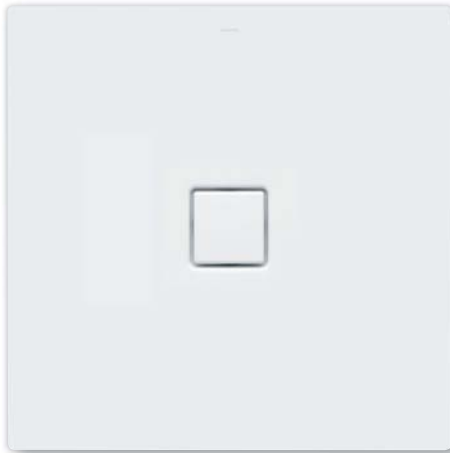
The TÜV Rheinland confirms the following properties of KALDEWEI's anti-slip and full anti-slip finish:

- ; Assessment group **B** for wet barefoot areas (**DIN 51097**)
- ; Assessment group **R 10** for slip-resistant properties in work rooms and areas with an increased risk of slipping (**DIN 51130**)

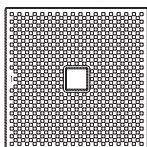
All CONOFLAT models are available with **full anti-slip** finish.

CONOFLAT

- straightlined, purist design
- The flat enamelled waste cover that is flush with the shower area gives a high level of comfort
- can be installed to be absolutely flush with the floor
- made of Kaldewei steel enamel 3.5 mm
- ideally complements the CONODUO bath
- designed by Sottsass Associati
- drainage capacity KA 120: 0.85 l/s
- drainage capacity KA 120 vertical: 1.4 l/s
- **30 YEAR WARRANTY**



Model No.		791	792	793	794	795	796
External length	a	800	900	1000	800	900	1000 mm
External width	b	1300	1300	1300	1400	1400	1400 mm
Height with siphon	g	107	107	107	107	107	107 mm
Height of rim	i	32	32	32	32	32	32 mm
Diameter of drain hole	m	120	120	120	120	120	120 mm
Siphon connection height	l	76	76	76	76	76	76 mm
Height with support	y ₁	110	110	110	110	110	110 mm
Weight of the enamelled shower tray in kg		27	30	34	29	32	36
Anti-slip		492 x 492	492 x 492	588 x 588	492 x 492	492 x 492	588 x 588 mm
Full anti-slip		740 x 1220	836 x 1220	932 x 1220	740 x 1316	836 x 1316	932 x 1316 mm



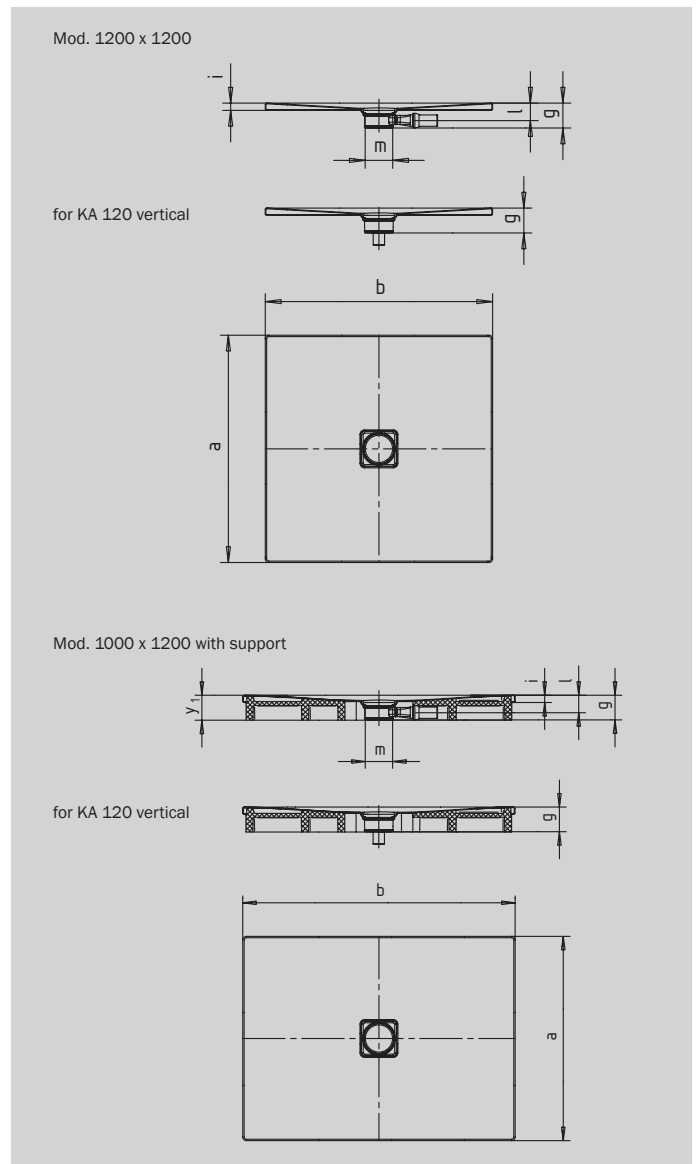
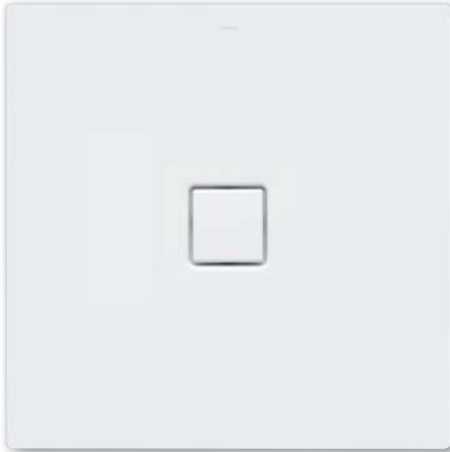
The TÜV Rheinland confirms the following properties of KALDEWEI's anti-slip and full anti-slip finish:

- ; Assessment group **B** for wet barefoot areas (**DIN 51097**)
- ; Assessment group **R 10** for slip-resistant properties in work rooms and areas with an increased risk of slipping (**DIN 51130**)

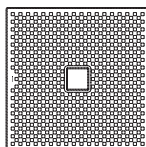
All CONOFLAT models are available with **full anti-slip** finish.

CONOFLAT

- straightlined, purist design
- The flat enamelled waste cover that is flush with the shower area gives a high level of comfort
- can be installed to be absolutely flush with the floor
- made of Kaldewei steel enamel 3.5 mm
- ideally complements the CONODUO bath
- designed by Sottsass Associati
- drainage capacity KA 120: 0.85 l/s
- drainage capacity KA 120 vertical: 1.4 l/s
- **30 YEAR WARRANTY**



Model No.		855	856	857	858	859	860	861	862	863
External length	a	800	900	1000	750	800	900	1000	750	900 mm
External width	b	1500	1500	1500	1600	1600	1600	1600	1700	1700 mm
Height with siphon	g	107	107	107	107	107	107	107	107	107 mm
Height of rim	i	32	32	32	32	32	32	32	32	32 mm
Diameter of drain hole	m	120	120	120	120	120	120	120	120	120 mm
Siphon connection height	l	76	76	76	76	76	76	76	76	76 mm
Height with support	y ₁	110	110	110	110	110	110	110	110	110 mm
Weight of the enamelled shower tray in kg		33	35	38	30	35	37	41	33	40
Anti-slip		492 x 492	492 x 492	588 x 588	492 x 492	492 x 492	492 x 492	588 x 588	492 x 492	492 x 492 mm
Full anti-slip		740 x 1412	836 x 1412	932 x 1412	692 x 1556	740 x 1556	836 x 1556	932 x 1556	692 x 1652	836 x 1652 mm



The TÜV Rheinland confirms the following properties of KALDEWEI's anti-slip and full anti-slip finish:

- ; Assessment group **B** for wet barefoot areas (**DIN 51097**)
- ; Assessment group **R 10** for slip-resistant properties in work rooms and areas with an increased risk of slipping (**DIN 51130**)

All CONOFLAT models are available with **full anti-slip** finish.