

viega

INSTALLATION INSTRUCTIONS

VISIGN FOR STYLE 11/12

VISIGN FOR MORE 100/101/102/103/104

Visign for Style 11 / 12


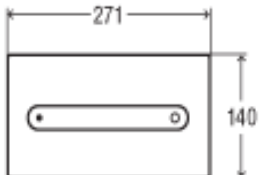

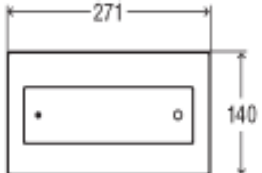
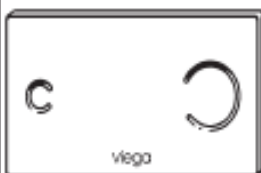
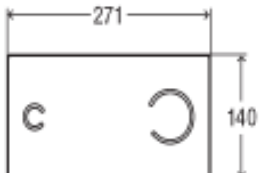

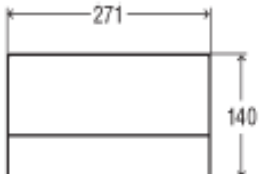

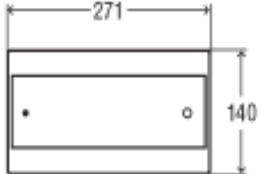



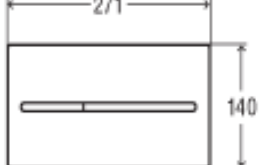
Modelle 8331.1 / 8332.1 / 8332.4

Visign for More 100 / 101 / 102 / 103 / 104

Modelle 8352.1 / 8351.1 / 8353.1 / 8355.1 / 8354.1

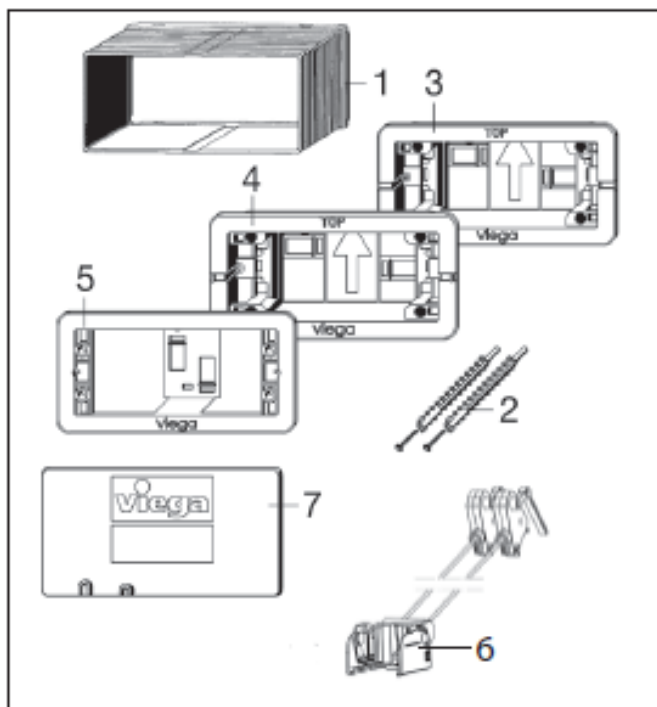
03.8/2011

A

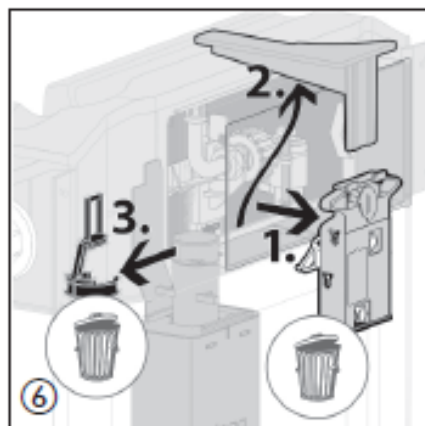
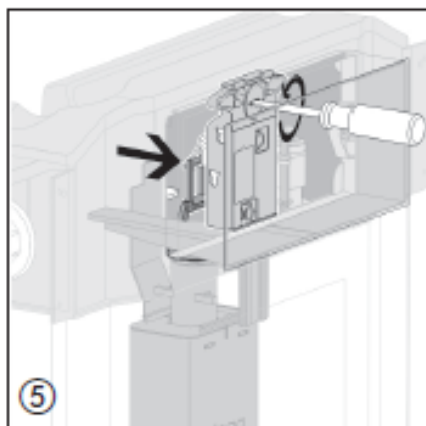
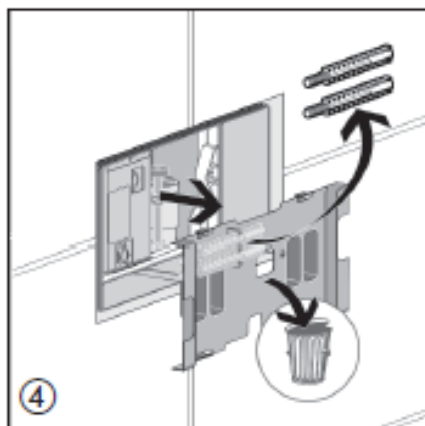
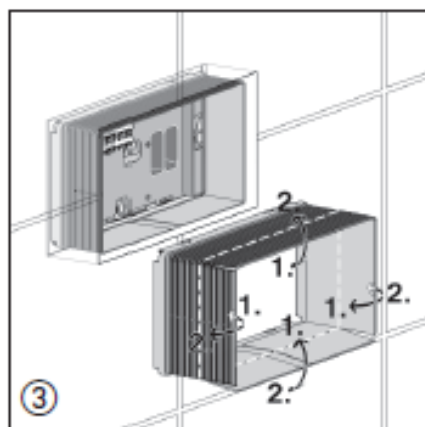
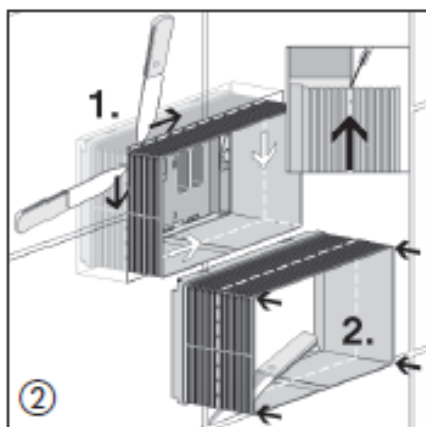
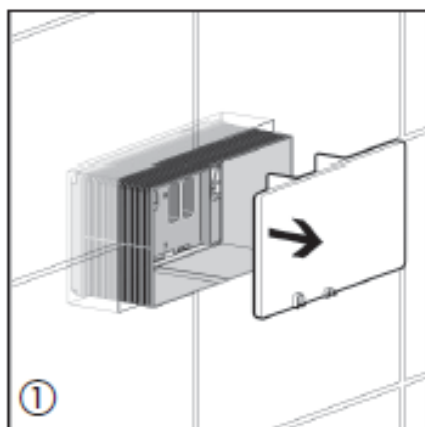
		Modell
		8331.1
		8332.1 8332.4
		8352.1
		8351.1
		8353.1
		8355.1
		8354.1

- (D)
- (BFL)
- (BFR)
- (CZ)
- (DK)
- (E)
- (F)
- (FIN)
- (GB)
- (GR)
- (HR)
- (HU)
- (I)
- (LV)
- (N)
- (NL)
- (P)
- (PL)
- (RO)
- (RUS)
- (S)

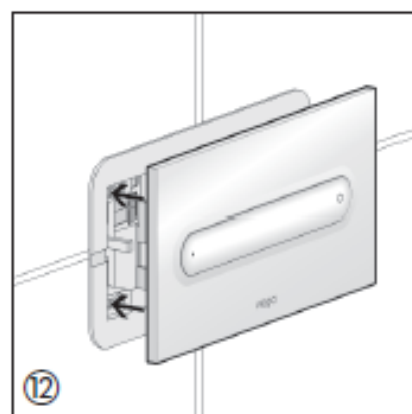
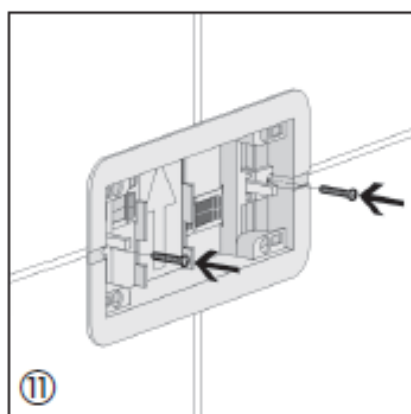
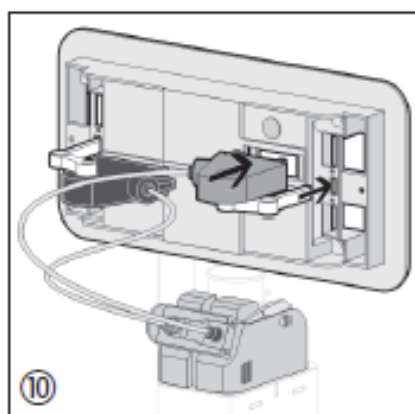
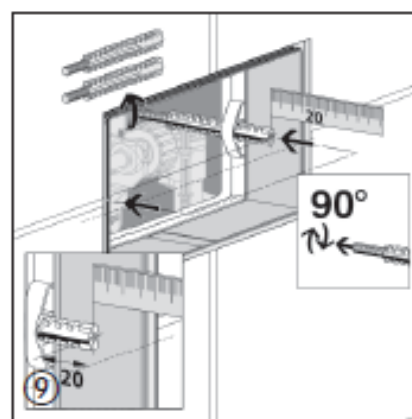
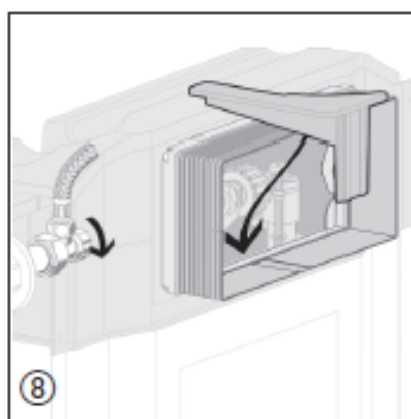
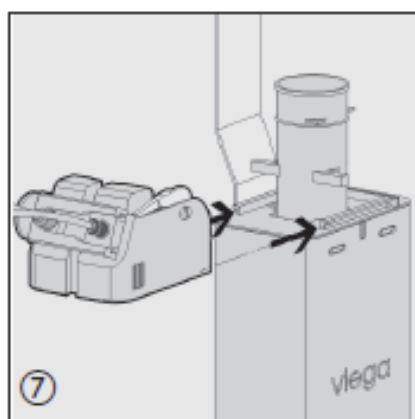
B



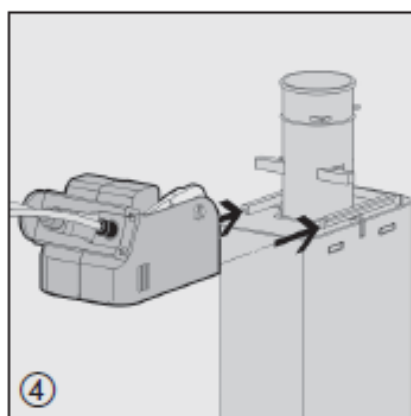
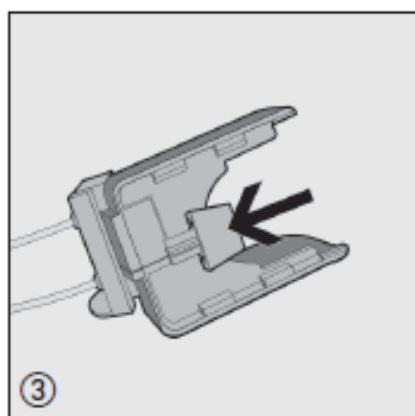
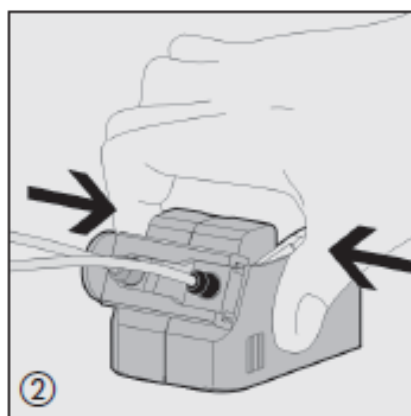
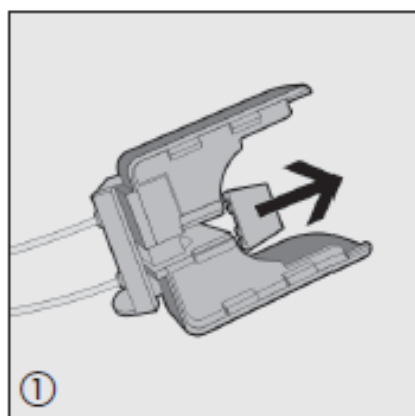
C



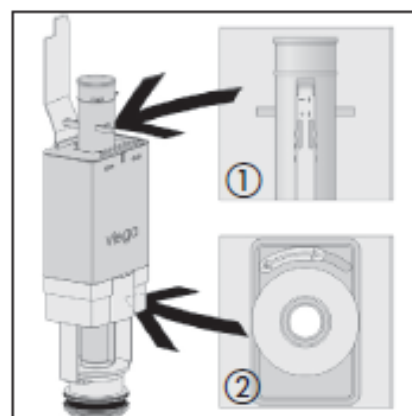
Modelle 8331.1 / 8332.1 / 8352.1 / 8351.1 / 8353.1 / 8355.1 / 8354.1



D



E



GB Instructions for use: Visign for Style/Visign for More actuating panels

Visign for Style/Visign for More actuating panels

Intended use

Visign for Style and Visign for More actuating panels have been designed for use with the following Viega concealed cisterns:

Steptec:	8461.3 / 8437.3 / 8438.3
Viegaswift:	8000.3 / 8037.3 / 8038.3 / 8032.3 / 8039.3
Viega Eco Plus:	8137.2 / 8138.2 / 8141.2 / 8161.2
Viega Mono:	8308 / 8308.1 / 8308.8 / 8310.2 / 8337.2 / 8338.2

Note

A conversion kit must also be ordered for the combination of a WC actuating panel with one of the following models:

Conversion kit model	WC element/module model
8310.0	8000 / 8000.90 / 8000.99 / 8039 / 8112 / 8461 / 8161.5 / 8161.80 / 8161.90 / 8310
8038.0	8038 / 8438 / 8138 / 8338
8037.0	8037 / 8437 / 8137 / 8337
8141.0	8141

Care instructions

Clean only with mild cleaning agents containing soap. Abrasives or products containing alcohol, ammonia, hydrochloric acid, phosphoric acid or acetic acid will corrode the surface and therefore must not be used.

A Components

Model	Product description
8331.1 8332.1 8332.4	Visign for Style actuating panel for Viega Visign 2 concealed cistern and Viega Visign 1F (8 cm cistern), made of plastic or safety glass, 2-level flushing technology, with Bowden wire unit, base plate and fixing accessories
8351.1 8352.1 8353.1 8354.1 8355.1	Visign for More actuating panel for Viega Visign 2 concealed cistern and Viega Visign 1F (8 cm cistern), made of metal or safety glass, 2-level flushing technology, with Bowden wire unit, base plate and fixing accessories

GB Instructions for use: Visign for Style/Visign for More actuating panels

B Components

- ① Inspection chamber
- ② Set of threaded bolts
- ③ Base plate, Visign for Style 11 and 12
- ④ Base plate, Visign for More 100 / 102 / 103 / 104
- ⑤ Base plate, Visign for More 101
- ⑥ Bowden wire unit
- ⑦ Cover for chamber

C Installation

The actuating panels can be located on the front or top of the cistern modules.

The installation procedure is identical for both locations. We recommend that you wait until the wall finish is complete before installing the actuating panels.

Installation procedure

- ① Remove the chamber cover.
- ② Cut in the corners of the inspection chamber as far as the surface of the wall.
- ③ Snap off and dispose of the ends. The edge of the inspection chamber must be flush with the surface of the wall.
- ④ Remove the cover and take out the threaded bolts. You can dispose of the cover.
- ⑤ Unlock the mechanism and unhook the bar from the drain valve.
- ⑥ Remove mechanics, take out the bracket. Remove the U-bolt on the drainage valve. Mechanics and U-bolt are no longer required.
- ⑦ Slide the Bowden wire unit onto the drain valve from the left until it snaps into place.
- ⑧ Reinsert the support and open the corner valve.
- ⑨ Insert the two threaded bolts into the bore hole inside the inspection chamber and lock them in place by turning through 90°. Note the required dimensions: 20 mm between the leading edge of the threaded bolt and the leading edge of the wall.
- ⑩ The Bowden wires clip onto the rear of the base plate. Match up the colours. Line the green Bowden wire up with the slot marked with a green dot.
- ⑪ Fit the base plate and secure with the screws supplied with the kit.
- ⑫ Finally, fit the actuating plate to the base plate.

GB Instructions for use: Visign for Style/Visign for More actuating panels

B Components

- ① Inspection chamber
- ② Set of threaded bolts
- ③ Base plate, Visign for Style 11 and 12
- ④ Base plate, Visign for More 100 / 102 / 103 / 104
- ⑤ Base plate, Visign for More 101
- ⑥ Bowden wire unit
- ⑦ Cover for chamber

C Installation

The actuating panels can be located on the front or top of the cistern modules.

The installation procedure is identical for both locations. We recommend that you wait until the wall finish is complete before installing the actuating panels.

Installation procedure

- ① Remove the chamber cover.
- ② Cut in the corners of the inspection chamber as far as the surface of the wall.
- ③ Snap off and dispose of the ends. The edge of the inspection chamber must be flush with the surface of the wall.
- ④ Remove the cover and take out the threaded bolts. You can dispose of the cover.
- ⑤ Unlock the mechanism and unhook the bar from the drain valve.
- ⑥ Remove mechanics, take out the bracket. Remove the U-bolt on the drainage valve. Mechanics and U-bolt are no longer required.
- ⑦ Slide the Bowden wire unit onto the drain valve from the left until it snaps into place.
- ⑧ Reinsert the support and open the corner valve.
- ⑨ Insert the two threaded bolts into the bore hole inside the inspection chamber and lock them in place by turning through 90°. Note the required dimensions: 20 mm between the leading edge of the threaded bolt and the leading edge of the wall.
- ⑩ The Bowden wires clip onto the rear of the base plate. Match up the colours. Line the green Bowden wire up with the slot marked with a green dot.
- ⑪ Fit the base plate and secure with the screws supplied with the kit.
- ⑫ Finally, fit the actuating plate to the base plate.

Note:

Visign for Style 11 (model 8331.1) and 12 (model 8332.1) actuating panels can be fitted with anti-theft protection as an optional extra (model 8330.15).

GB Instructions for use: Visign for Style/Visign for More actuating panels

D Adaptation of Bowden wire unit to Viega Mono Slim cistern

The Bowden wire unit must be adapted for the combination of a WC actuating panel with one of the following models:

Viega Mono Slim WC	Model 8308.1
Viega Mono Tec WC	Model 8308 / 8308.8

Note:

In combination with Viega Visign 1F concealed cistern, at least 5 cm of plaster must be applied to the front of the cistern!

- ① Remove the lock on the bottom of the Bowden wire unit.
- ② Press the Bowden wire unit together.
- ③ Reattach the lock on the bottom of the Bowden wire unit.
- ④ Push the Bowden wire unit from the left until it engages on the drainage valve.

The remainder of the installation is as described under Section C.

E Short and long flush volume setting

- ① Short flush setting: approx. 3–4 litres
- ② Long flush setting approx. 6–9 litres