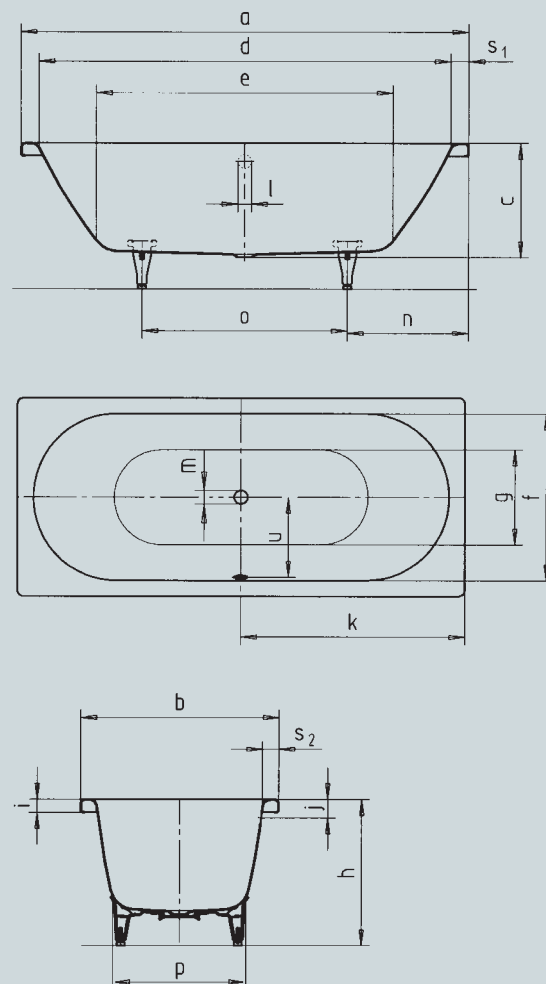


# CLASSIC DUO

- puristic simplicity and unpretentious elegance are what distinguish these bathtubs
- bathing with a friend: two identical back rests and centrally positioned outlet
- classical four-cornered model
- made of Kaldewei steel enamel 3.5 mm



Model No.		103	105	107	109	110	114
External length	a	1600	1700	1700	1800	1800	1900 mm
External width	b	700	700	750	750	800	900 mm
Depth	c	430	430	430	430	430	430 mm
Internal length (top)	d	1480	1580	1580	1680	1680	1780 mm
<b>Internal length (bottom)</b>	<b>e</b>	<b>1030</b>	<b>1130</b>	<b>1130</b>	<b>1230</b>	<b>1230</b>	<b>1330 mm</b>
Internal width (top)	f	580	580	630	630	680	780 mm
Internal width (bottom)	g	450	450	500	500	550	650 mm
Height with feet	h	570-605	565-600	560-595	560-595	555-590	mm
Height of rim	i	32	32	32	32	32	32 mm
Distance top edge to centre of overflow hole	j	70	70	70	70	70	70 mm
Distance tub edge to centre of drain hole	k	800	850	850	900	900	950 mm
Diameter of overflow hole	l	52	52	52	52	52	52 mm
Diameter of drain hole	m	52	52	52	52	52	52 mm
Distance foot end of tub edge to centre of foot	n	560	560	560	600	600	mm
Distance between the feet	o	480	580	580	600	600	mm
Max. width of feet	p	430	420	470	470	540	mm
Width of rim (foot end; lengthwise)	s <sub>1</sub> ; s <sub>2</sub>	60; 60	60; 60	60; 60	60; 60	60; 60	60; 60 mm
Distance between centre holes	u	280	280	305	305	330	380 mm
Water volume** in litres		95	110	122	143	158	
Weight of the enamelled bath tub in kg		44	47	48	50	53	
Anti-slip		Ø 288	Ø 288	Ø 435	Ø 435	Ø 435	mm
Full anti-slip		850 x 240	900 x 300	900 x 300	900 x 300	900 x 300	mm

Note: The operational system may protrude on some whirl systems.  
Please refer to the Technical Information for Whirl Systems for further information.  
Subject to technical alterations and tolerances.  
\*\* 70 litres displacement on average.