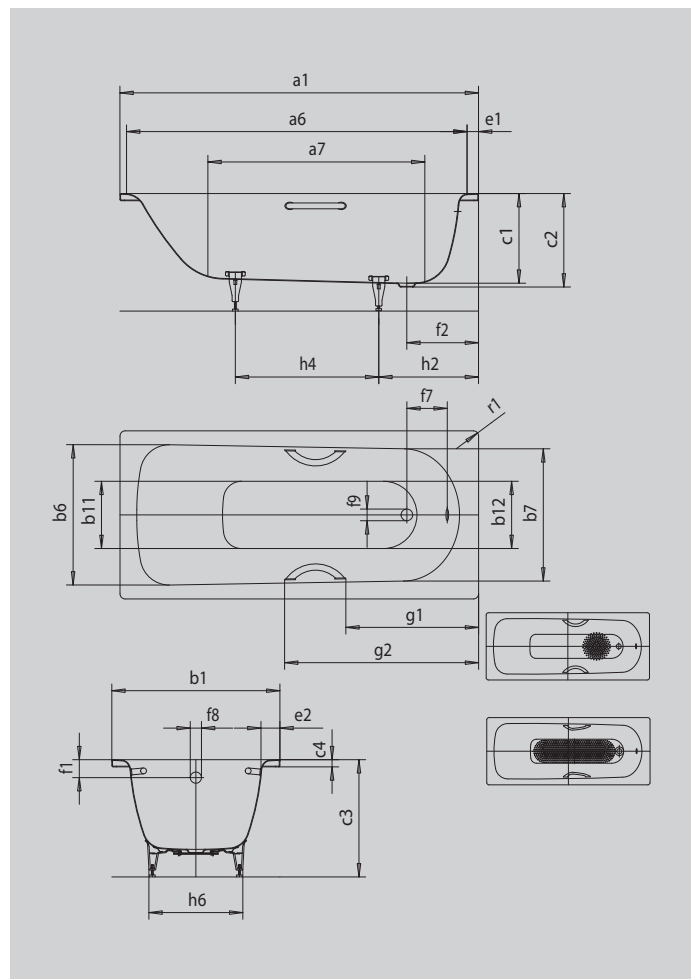


SANIFORM PLUS

- one-seater bath with waste at foot end
- classic four-cornered model
- also available with grips
- made of KALDEWEI steel enamel



Similar illustration



Model		373
External length	a_1	1700 mm
Internal length (top)	a_6	1530 mm
Internal length (bottom)	a_7	1150 mm
External width	b_1	750 mm
Internal width (top)	$b_6; b_7$	600; 580 mm
Internal width (bottom)	$b_{11}; b_{12}$	440; 400 mm
Depth inside	c_1	400 mm
Depth incl. waste hole	c_2	410 mm
Height with feet	c_3	545 - 560 mm
Height of rim	c_4	32 mm
Width of rim (foot end; long side)	$e_1; e_2$	70; 75 mm
Distance top edge to centre of overflow hole	f_1	63 mm
Distance bath edge to centre of waste hole	f_2	310 mm
Distance centre of waste hole to centre of overflow hole	f_7	218 mm
Diameter of overflow hole	f_8	Ø 52 mm
Diameter of waste hole	f_9	Ø 52 mm
Distance foot end of bath edge to centre of foot	h_2	445 mm
Distance between the feet	h_4	750 mm
Width of feet max.	h_6	430 mm
External radius	r_1	8 mm
Water volume		123 l
Net weight		49 kg
Diameter of anti-slip		Ø 288 mm
Full anti-slip		900 x 300 mm