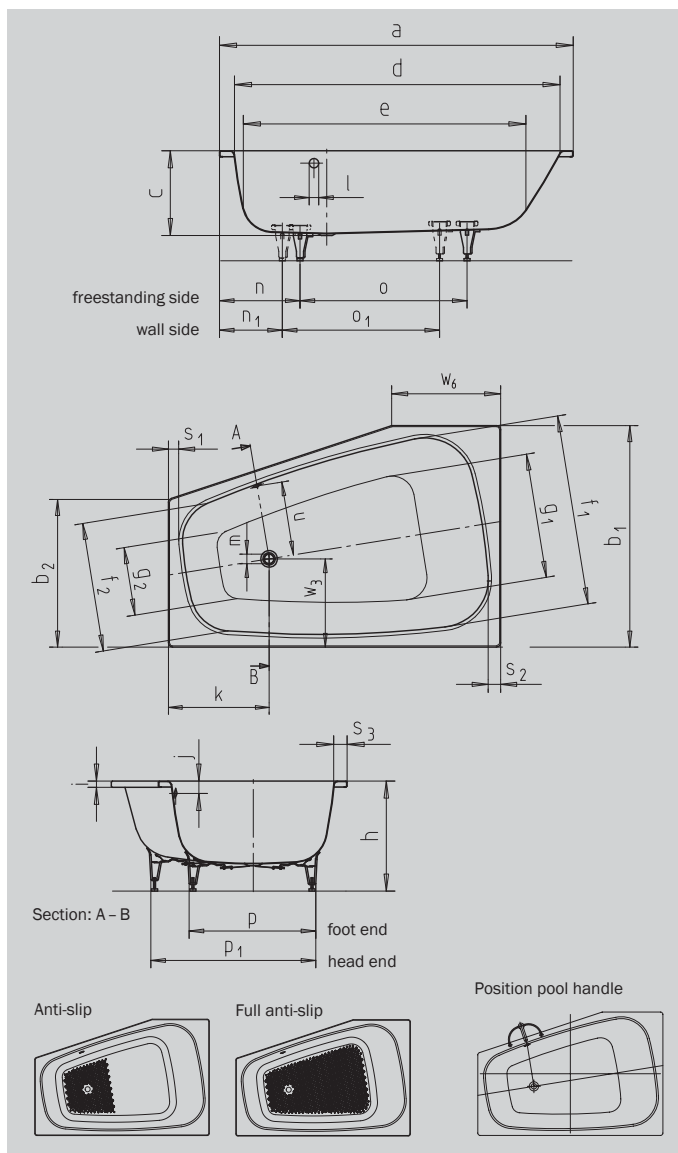


# PLAZA DUO RIGHT

- the spacious interior enables you to adopt a wide range of positions when bathing
- bathing with a friend: sit next to each other
- available as right or left-hand model
- made of Kaldewei steel enamel 3.5 mm
- **30 YEAR WARRANTY**



Model No.		190
External length	a	1800 mm
External width	b <sub>1</sub> ; b <sub>2</sub>	1200; 800 mm
Depth	c	430 mm
Internal length (top)	d	1625 mm
<b>Internal length (bottom)</b>	<b>e</b>	<b>1410 mm</b>
Internal width (top)	f <sub>1</sub> ; f <sub>2</sub>	1035; 700 mm
Internal width (bottom)	g <sub>1</sub> ; g <sub>2</sub>	738; 370 mm
Height with feet	h	552-560 mm
Height of rim	i	32 mm
Distance top edge to centre of overflow hole	j	70 mm
Distance bath edge to centre of drain hole	k	545 mm
Diameter of overflow hole	l	52 mm
Diameter of drain hole	m	52 mm
Distance foot end of bath edge to centre of foot	n; n <sub>1</sub>	320; 410 mm
Distance between the feet	o; o <sub>1</sub>	800; 850 mm
Max. width of feet	p; p <sub>1</sub>	600; 880 mm
Width of rim (foot end; head end; lengthwise)	s <sub>1</sub> ; s <sub>2</sub> ; s <sub>3</sub>	74; 61; 66 mm
Distance between centre holes	u	409 mm
Distance bath (lengthwise) to drain hole	w <sub>3</sub>	478 mm
Side length	w <sub>6</sub>	590 mm
Water volume** in litres		273
Weight of the enamelled bath in kg		67
Anti-slip		473 x 386/562 mm
Full anti-slip		1031 x 386/700 mm

Note: The operational system may protrude on some whirl systems.  
Please refer to the Technical Information for Whirl Systems for further information.  
Subject to technical alterations, tolerances and errors. Similar illustration.  
\*\* 70 litres displacement on average.

**KALDEWEI**