



## Kaldewei Classic Duo

‘I don’t design things in any style, even less so in any fashion style, I design things for life ...’—Ettore Sottsass

**KALDEWEI**  
Europe’s No. 1 for baths

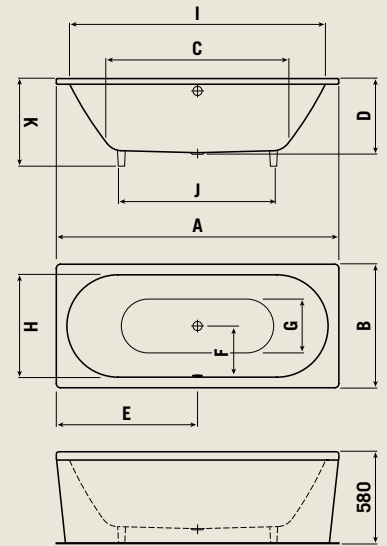
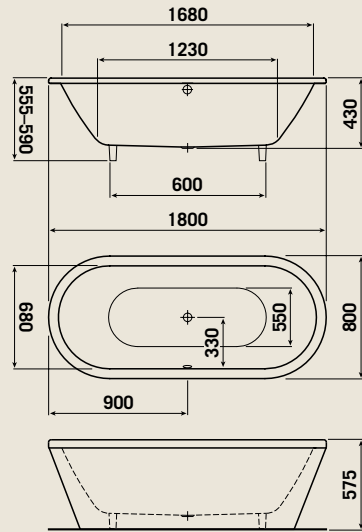
} bathe™  
*The world’s finest brands at bathe*

# Kaldewei Classic Duo

Classic Duo Oval



Classic Duo



CP overflow	01-111-06
CP multifiller*	01-111-A6
Leg system	01-5032
Surround for model 111	02-820-3

Model	103	107	110
A	1600	1700	1800
B	700	750	800
C	1030	1130	1230
D	430	430	430
E	800	850	900
F	280	305	330
G	450	500	550
H	580	630	680
I	1480	1580	1680
J	530	580	600
K	570-605	560-595	555-590

CP overflow for model 103	01-103-06
CP overflow for model 107	01-107-06
CP overflow for model 110	01-110-06
CP multifiller* for 103	01-103-A6
CP multifiller* for 107	01-107-A6
CP multifiller* for 110	01-110-A6
Leg system for models 103 and 107	01-5030
Leg system for model 110	01-5032
Surround for model 110	02-800-3

\*Not watermarked or AS approved. Backflow prevention required.

## Options



### Freestanding option

Classic Duo Oval and Classic Duo rectangle models are available with a seamless skirt, transforming them into a stunning freestanding centrepiece. Only available for 1800 oval and rectangle models.



### Hydrotherapy spa option

Classic Duo Oval and Classic Duo built-in models are also available with a therapeutic hydrotherapy spa system.

Each Multijet spa may be custom-built to suit your therapeutic requirements with specific jets, each creating a different massage effect, designed to optimise the therapeutic benefit for each area of the body.

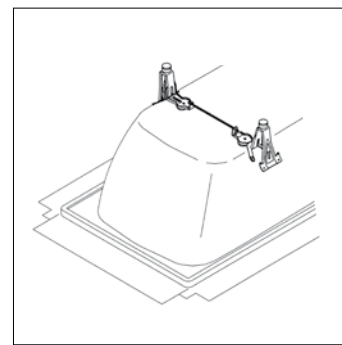
The moment you settle into a Multijet hydrotherapy spa, you will feel like you have your own personal masseur on tap. The warmth and tactile sensation has a sedative effect, allowing the passive exercise of tense or stressed muscles and joints, helping to relieve pain and discomfort. This brings fresh, oxygenated blood and other nutrients to the cells, while improving your levels of health and wellbeing.



### Airspa option

The Bathe Airspa Option is a sensuous effervescent experience created by thousands of air bubbles stroking the skin as they rise to the surface.

This spa option is available for all models and is suitable for all freestanding bath options.



### Installation option

A height adjustable leg system is a time-saving easy-to-use alternative to cement bedding the bath.

Supplied as standard with all freestanding bath options.



### Bathtub cushions

The Kaldewei bathtub cushion is wonderfully soft and flexible, and so it adapts perfectly to any shape of neck and bathtub. The delightfully soft, skin-friendly fabric cover is machine washable. A generous 50 x 30 cm, the cushion also supports the shoulders and allows a variety of head positions. With a valve for easy control of the level of hardness.



### Multi Bath Filler and overflow Outlet option

A Pop-up waste and overflow unit is supplied as a standard inclusion. A Multi overflow including the bath filler function is an option available for all models.

### Tile Seal

"Tile Seal" is available with all rectangular bath models where required for water sealing when abutting to wall.



Kaldewei uses only natural and recyclable materials—steel and enamel. The high-quality and long-lasting 3.5 mm steel enamel offers a clean and hygienic, acid and impact-resistant, scratchproof and hard-wearing finish that comes with a 30-year guarantee.†



## Classic Duo by Kaldewei

To Ettore Sottsass, head of the Milan-based design studio Sottsass Associati, the practical use of individual items is always of the utmost importance. This design philosophy applies to bathtubs in Kaldewei's Premium Line, especially those designed by the Sottsass studio for Franz Kaldewei GmbH & Co. KG.

Not too much and not too little. With its timeless shape, the Classic is a real eye-catcher. The height of simplicity, the height of comfort, the Classic Duo cuts a fine figure in any bathroom.

# 18 good reasons to choose Kaldewei 3.5 mm steel enamel

A bath is usually fixed into the bathroom structure so it is important to make the right choice of bath as it may directly determine how long a new bathroom retains its sparkle. Furthermore, the bath is the one item with the potential to provide the user with a sense of physical enjoyment if chosen carefully.

## 1. Comfort

The principle of ergonomics is applied to all Kaldewei baths to ensure maximum bathing comfort in every design.

## 2. Proprietary enamel production

In order to guarantee the consistent high quality of our steel enamel baths, shower trays and spa baths, Kaldewei is the only manufacturer to make its enamel according to its own strict standards.

## 3. Stability through 3.5 mm steel enamel

The especially thick 3.5 mm\* steel enamel gives Kaldewei products unsurpassed stability and security, so that even playing children can bathe without a care.

## 4. Scratch and abrasion resistant

Kaldewei baths and shower trays cannot be scratched by objects usually found in the bathroom, such as nail scissors, nail files or similar. Because if metal comes into contact with enamel, it is the metal that rubs off while the enamel remains unchanged.

## 5. Hard and impact resistant

Extensive tests have shown that the thickness of the enamel layers and their composition guarantee high impact resistance. In everyday use, this means that there is no need to worry if something falls into the bath.

## 6. Constant water temperature

Steel is an excellent heat conductor and quickly assumes the temperature of the water—the heavier gauge the better. Heat absorbed by the steel flows back into the water as the water cools down. The temperature of the water in the bath thus remains relatively constant for a long time.

Bath leg installation systems provide space for additional thermal insulation.

## 7. Hygienic and easy-care

Kaldewei porcelain enamel is a glass-hard bath surface that is almost impossible to scratch which means it stays impervious to bacterial contamination and is a safer more sanitary surface that is easy to maintain.

## 8. Glass-like

Kaldewei steel enamel possesses the same properties as real glass shower screens, tiles and ceramic, so that all the materials in the bathroom have a uniform appearance and lifetime expectations.

## 9. Quiet

Thanks to a material thickness of 3.5 mm\*, water runs into the bath quietly and sound is muffled much better than in thin metal baths.

## 10. Colourfast and lightfast

Enamel is colourfast and resistant to UV light and thus extremely resistant to ageing; the colour effect (shine and structure) and colour metamery (change in colour as a result of different actions of light) of enamel are exactly the same as those of ceramic glazes.

## 11. Acid and chemical resistant

Kaldewei steel enamel is acid resistant and resistant to all cosmetic and medicinal bathing preparations and perfumes. These substances thus cause no material changes or stains on the surface.

## 12. Heat resistant

Burning or smouldering objects (e.g. cigarettes or candles) leave no burn marks or traces of smoke on Kaldewei steel enamel.

## 13. No static charge

Since baths and shower trays made of Kaldewei steel enamel do not charge up with static electricity, they do not attract dust. This means that they always shine and are quick to clean.

## 14. Minimal material expansion

Unlike acrylic Kaldewei baths and shower trays have virtually no expansion or contraction when subjected to temperature fluctuations. Hence, expansion causes no cracks in the joints or structural damage due to moisture.

## 15. Easy to seal

Tile layers will have no problem sealing baths made of steel enamel as compared to acrylic baths. Permanent elastic joint sealer bonds to Kaldewei steel enamel without pre-treatment. 'Tile-seal' is supplied to ensure the flat-edged baths conform to Australian Standards when abutting to wall.

## 16. Repairs

Damage to the surface of the enamel can be repaired with special repair kits from the Kaldewei accessory programme.

## 17. Guarantee

30-year guarantee in accordance with a guarantee certificate is supplied on all baths and shower trays made of Kaldewei steel enamel.

## 18. Lasting value and long life

If cared for correctly, a bath or shower tray made of Kaldewei steel enamel looks almost as it did on the first day, even decades later.

\*3.5 mm steel enamel produced from 2.9 mm ± 0.14 mm steel